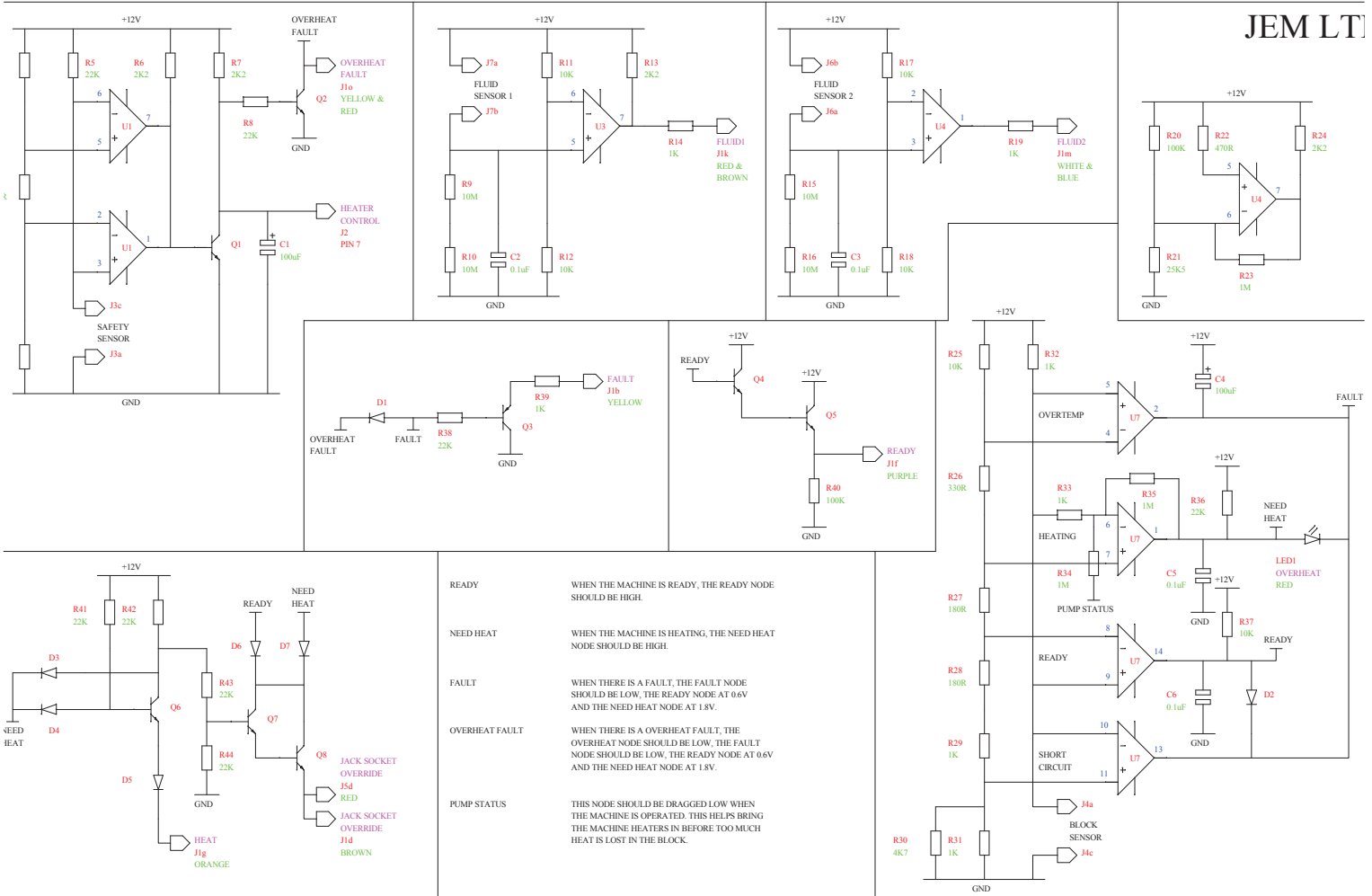
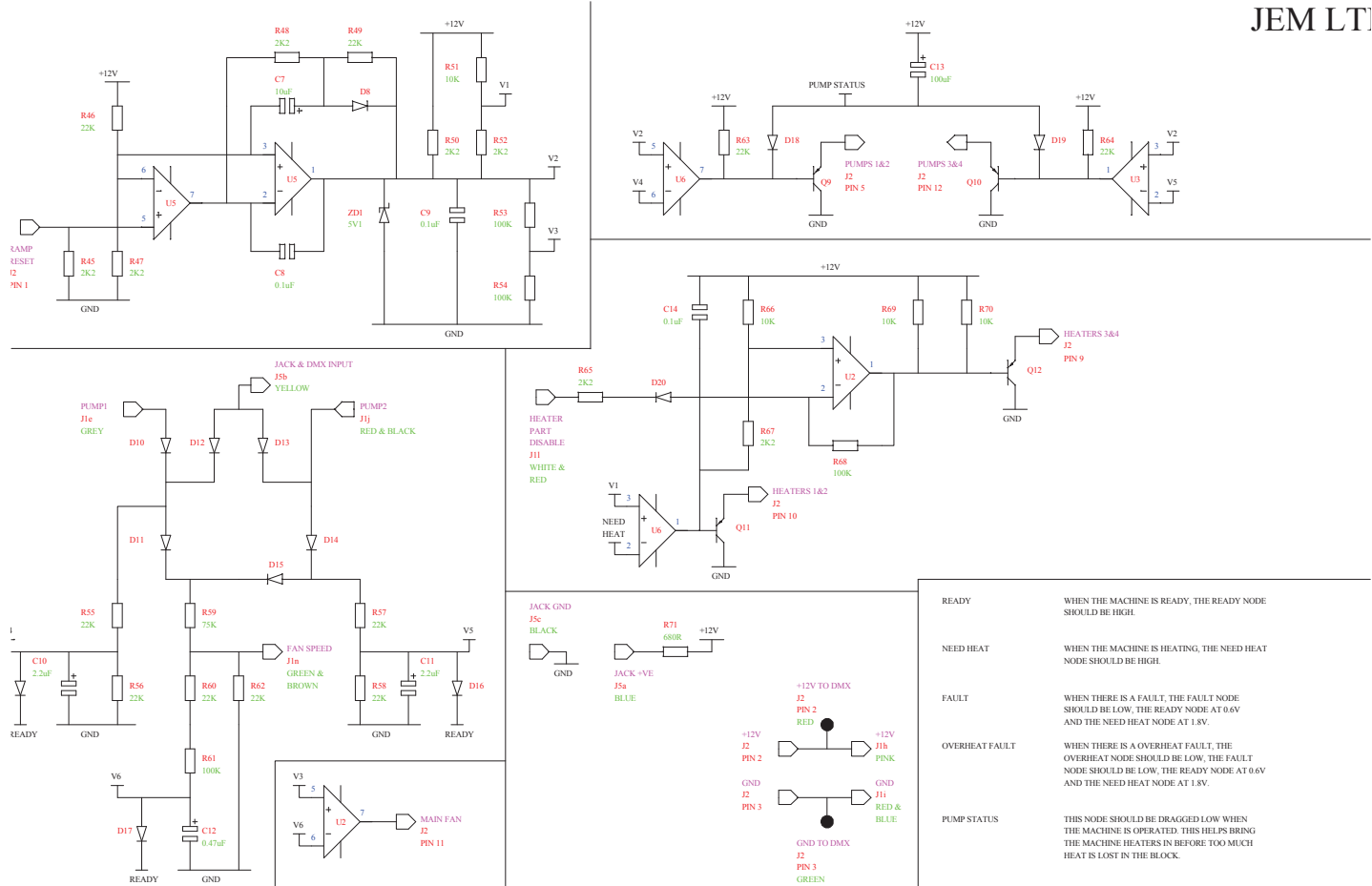


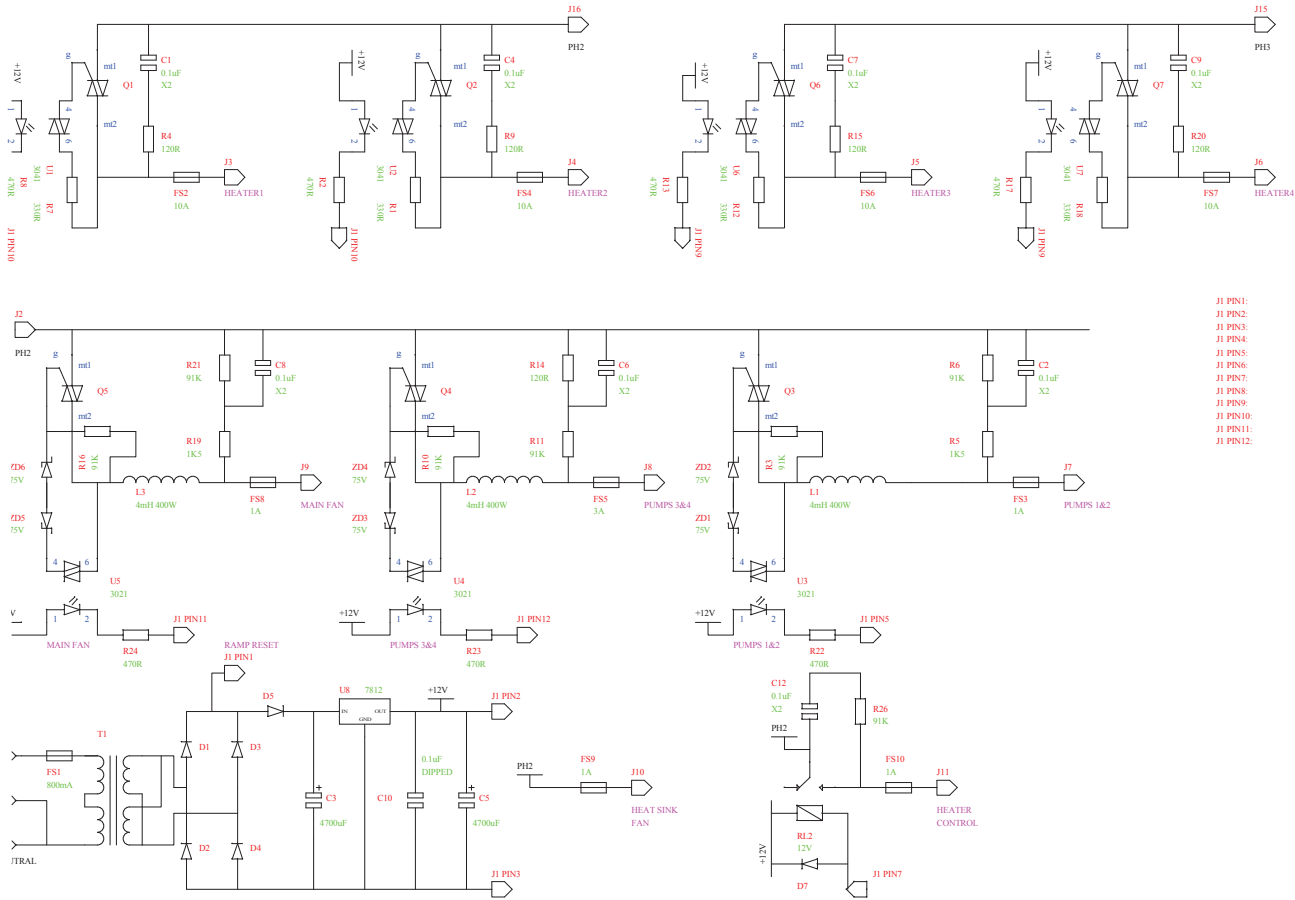
JEM LT



READY	WHEN THE MACHINE IS READY, THE READY NODE SHOULD BE HIGH.
NEED HEAT	WHEN THE MACHINE IS HEATING, THE NEED HEAT NODE SHOULD BE HIGH.
FAULT	WHEN THERE IS A FAULT, THE FAULT NODE SHOULD BE LOW, THE READY NODE AT 0.6V AND THE NEED HEAT NODE AT 1.8V.
OVERHEAT FAULT	WHEN THERE IS AN OVERHEAT FAULT, THE OVERHEAT NODE SHOULD BE LOW, THE FAULT NODE SHOULD BE LOW, THE READY NODE AT 0.6V AND THE NEED HEAT NODE AT 1.8V.
PUMP STATUS	THIS NODE SHOULD BE DRAGGED LOW WHEN THE MACHINE IS OPERATED. THIS HELPS BRING THE MACHINE HEATERS IN BEFORE TOO MUCH HEAT IS LOST IN THE BLOCK.



JEM LT1



- J1 PIN1: RAMP RESET
- J1 PIN2: +12V
- J1 PIN3: GND
- J1 PIN4: GND
- J1 PIN5: PUMPS 1&2
- J1 PIN6: HEATER CONTROL
- J1 PIN7: HEATERS 1&2
- J1 PIN8: HEATERS 1&2
- J1 PIN9: MAIN FAN
- J1 PIN10: PUMPS 3&4
- J1 PIN11: HEATERS 3&4
- J1 PIN12: PUMPS 3&4